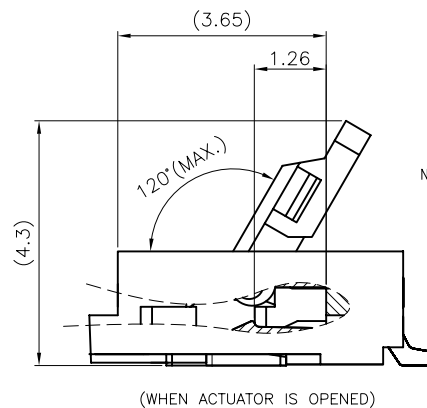
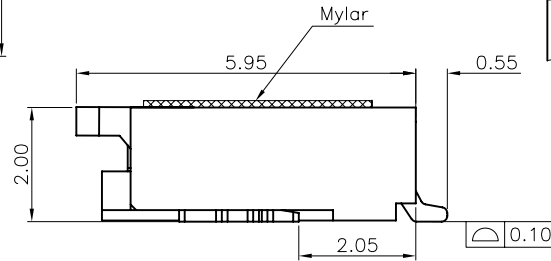
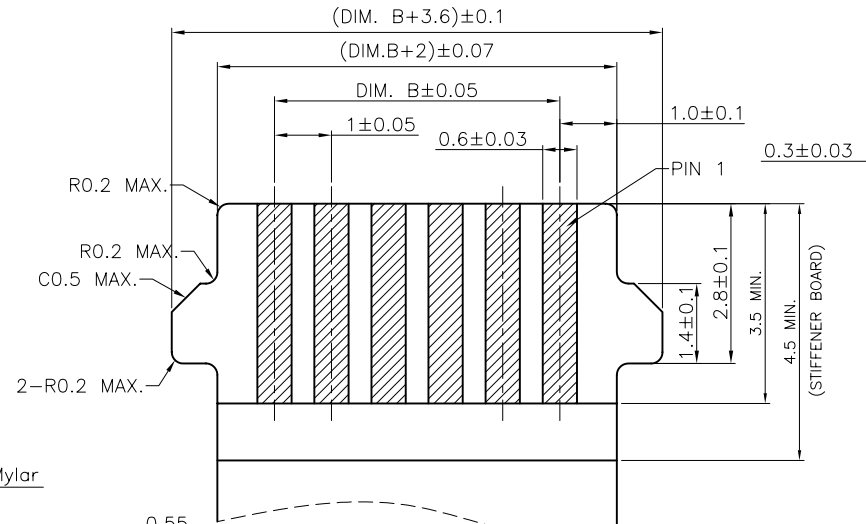


RECOMMENDED PCB LAYOUT



(WHEN ACTUATOR IS OPENED)



APPLICABLE FPC
RECOMMENDED DIMENSION
(THICKNESS: 0.3 ± 0.05)

NOTES:

- MATERIAL:
 - HOUSING: THERMOPLASTIC, HIGH TEMP., UL94V-0; COLOR: NATURAL.
 - CONTACT: COPPER ALLOY
 - FITTING NAIL: COPPER ALLOY
 - ACTUATOR: THERMOPLASTIC, HIGH TEMP., UL94V-0; COLOR: BLACK.
- FINISH:
 - CONTACT:
 - GOLD FLASH PLATING OVERALL.
 - 100~150u" MATT TIN PLATING.
 - 50~100u" NICKEL UNDERPLATING OVERALL.
 - FITTING NAIL:
 - 100~150u" TIN PLATING ON SOLDER TAILS.
 - 50~100u" NICKEL UNDERPLATING OVERALL.
- REFLOW SOLDER CAPABLE TO 260°C PER ACES SPEC.
- SPEC. PLS. REFER TO PS-50690-XXXX
- PACKAGE PLS. REFER TO 50690-XXXX-05-TRP
- PART NUMBER

50690-XXX X X -XXX
NO OF CKT

CODE	LOGO
001	ACES

PLATING
1: G/F OVERALL (LEAD FREE)
N: MATT TIN OVERALL (LEAD FREE)

PACKING
0: TAPE & REEL
1: TUBE
4: TAPE & REEL with Mylar
5: TUBE with Mylar

CKT	DIM A	DIM B	DIM C
26	30.90	25.00	27.06
28	32.90	27.00	29.06
32	36.90	31.00	33.06

一般公差 TOLERANCES X ± 0.5 XX ± 0.15 X ± 0.25 XXX ± 0.1 ANGLES ± 2°		宏致電子股份有限公司 Aces Electronics Co., Ltd.	
檢驗尺寸標示 SYMBOLS INDICATE CLASSIFICATION DIMENSION MARK IS CRITICAL DIM. MARK IS MAJOR DIM.	品名 (TITLE) 1.0mm PITCH EASY ON FPC/FCC CONN.	製圖 (DR) 14/01/28 審核 (CHKD) DAVID	CANDY
圖號 (DWG NO.) 50690-XXXX-XXX		核准 (APPD) JERRY	
表面處理 (FINISH)	比例 (SCALE) 8:1	單位 (UNITS) mm	張數 (SHEET) 1 OF 1 圖號 (DWG NO.) 50690-XXXX-XXX
			尺寸 (SIZE) A4 頁數 (REV) E